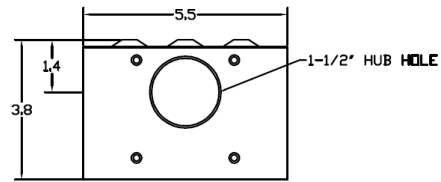


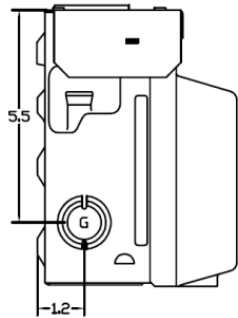
Top View



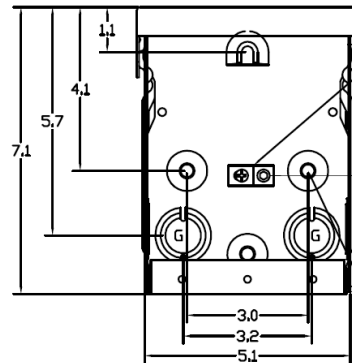
Wire Range Size

CONNECTOR	COPPER		ALUMINUM	
	SOLID	STRANDED	SOLID	STRANDED
LINE	14-10	14-10	-----	-----
LOAD	-----	-----	-----	-----
NEUTRAL	14-10	14-10	-----	-----
EQUIP. GRND.	12-8	12-2	-----	-----

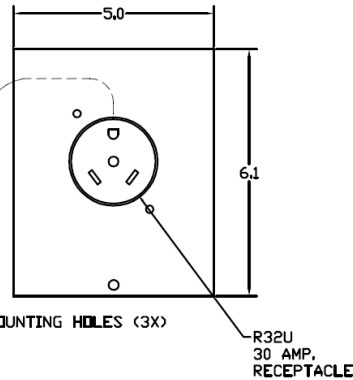
Left Side View



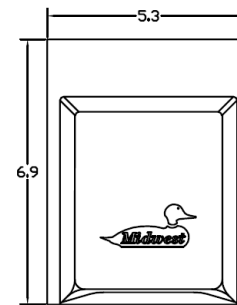
Back View



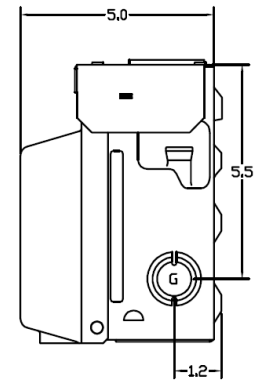
Inside Receptacle View



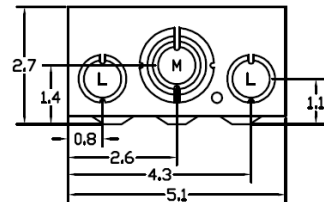
Front View



Right Side View



Bottom View



Receptacles

R32U

Circuit Protection

None



Midwest Electric Products
Plainville, CT

MIDWEST POWER OUTLET UNMETERED SURFACE UL
LISTED 30A 120V 1PH G90 N3R

CAT NO	DWG DATE	REV #
U013	07/12/2016	01